

Product data sheet

Characteristics

XVS72BMBN

Harmony XVS, Electronic alarm, black, NPN, mounting support DIN 72, 0...90 dB, 16 tones, 4 channels, 12...24 V AC/DC



Product availability: Stock - Normally stocked in distribution facility

Price*: 180.00 USD



Main

Range of product	Harmony XVS
Product or component type	Electronic alarm
Device short name	XVS

Complementary

Color	Black
Material	ABS (acrylonitrile butadiene-styrene): body PC (polycarbonate) terminal cover
Net weight	0.40 Lb(US) (0.18 kg)
Marking	CE
Overvoltage category	Class II EN/IEC 61140
Mounting support	72 mm DIN rail
[Us] rated supply voltage	12...24 V DC
[Uimp] rated impulse withstand voltage	0.8 KV
Current consumption	117 mA 12 V 125 mA 24 V 158 mA 12 V 200 mA 24 V
Clamping connection capacity	$\leq 1 \times 1.5 \text{ mm}^2$
Width	2.83 In (72 mm)
Height	2.83 In (72 mm)
Depth	2.73 In (69.3 mm)

Environment

Discrete output type	NPN
Signalling type	16 tones alarm
Standards	UL 464 EN/IEC 61000-6-3 EN/IEC 61000-6-2
Product certifications	UR
Protective treatment	TC
Ambient air temperature for storage	-31...158 °F (-35...70 °C)
Ambient air temperature for operation	14...122 °F (-10...50 °C)
IP degree of protection	Panel mounted IP54 EN/IEC 60529
Noise level	0...90 DB continuous or intermittent tone)1 m

Ordering and shipping details

Category	22617 - XVC TOWER LIGHTS
Discount Schedule	XV
GTIN	03606480032929
Nbr. of units in pkg.	1
Package weight(Lbs)	9.38 Oz (266 g)
Returnability	Yes
Country of origin	ID

Packing Units

Unit Type of Package 1	PCE
Package 1 Height	5.51 In (14 cm)
Package 1 width	3.66 In (9.3 cm)
Package 1 Length	3.66 In (9.3 cm)

Offer Sustainability

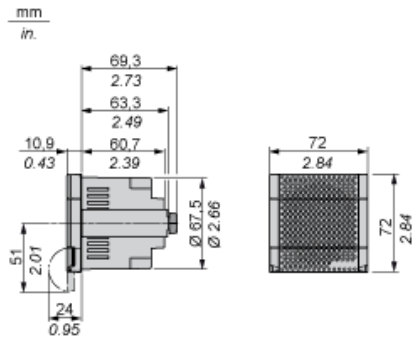
Sustainable offer status	Green Premium product
California proposition 65	WARNING: This product can expose you to chemicals including: Lead and lead compounds, which is known to the State of California to cause cancer and birth defects or other reproductive harm. For more information go to www.P65Warnings.ca.gov
REACH Regulation	REACH Declaration
EU RoHS Directive	Pro-active compliance (Product out of EU RoHS legal scope) EU RoHS Declaration
Mercury free	Yes
RoHS exemption information	Yes
China RoHS Regulation	China RoHS Declaration
Environmental Disclosure	Product Environmental Profile
Circularity Profile	End Of Life Information

Contractual warranty

Warranty	18 months
----------	-----------

Electronic Alarm

Dimensions



Product Life Status : Commercialised